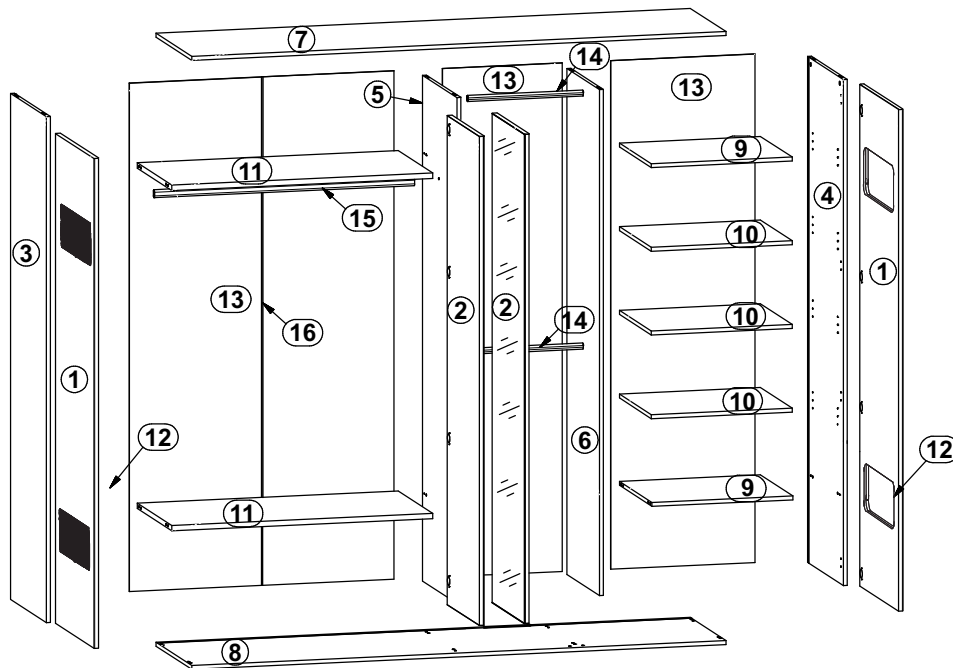
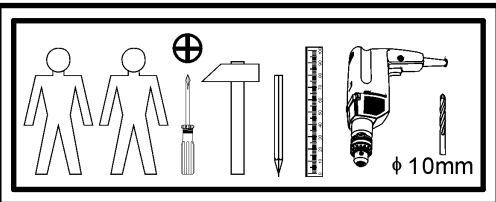
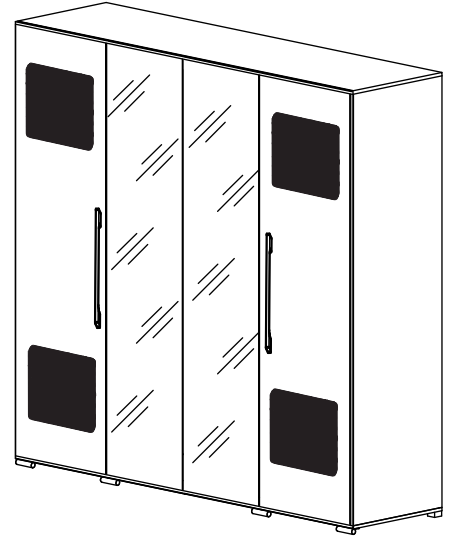


# WOODS

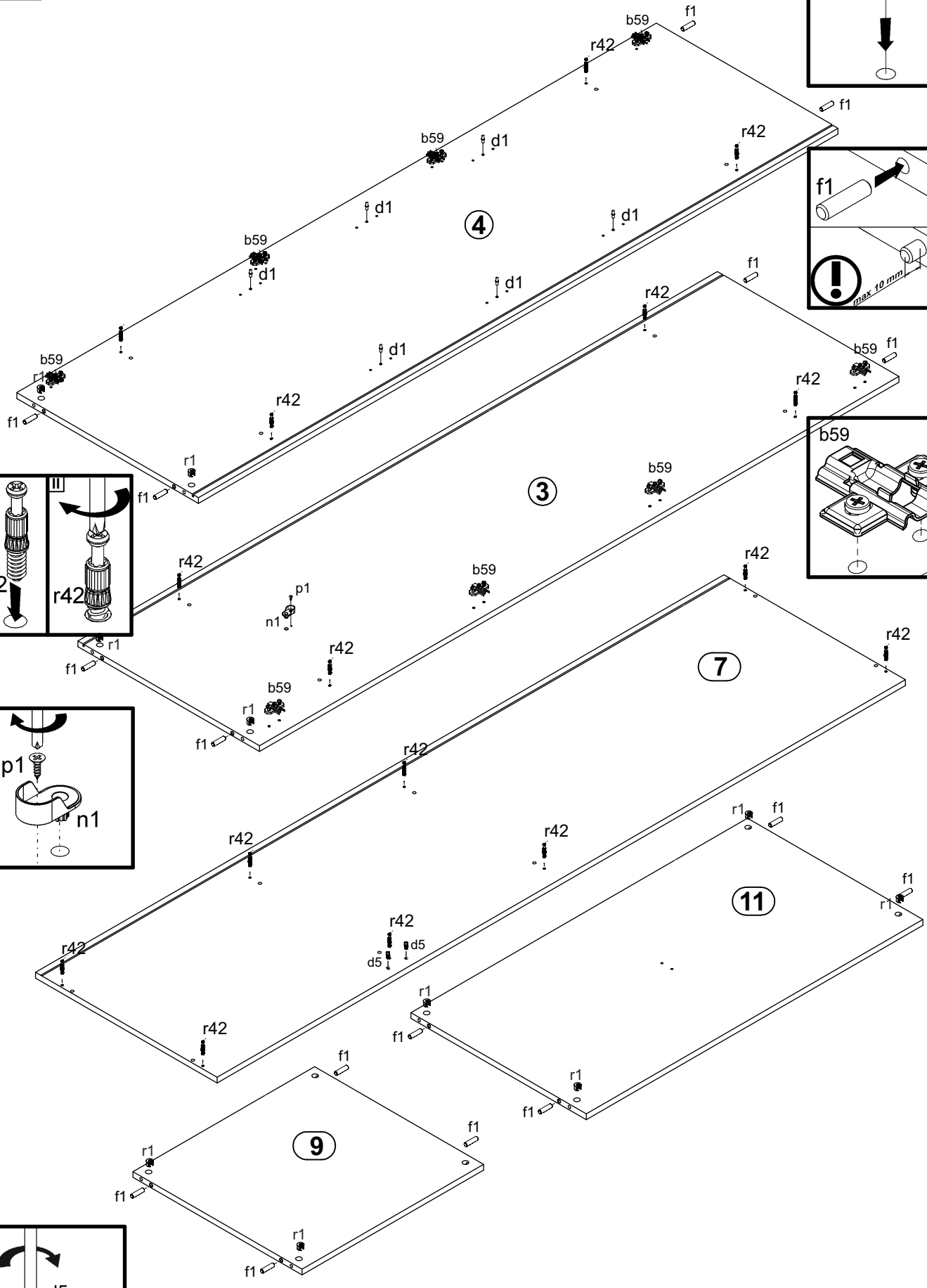
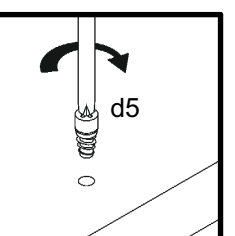
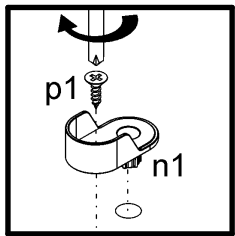
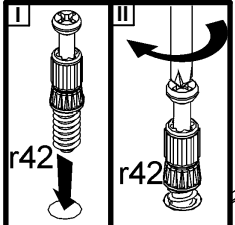
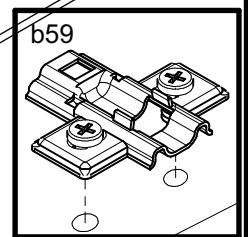
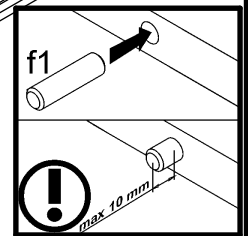
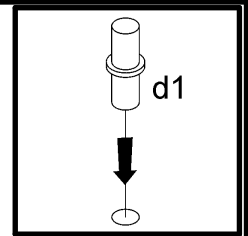
## N45-SZF4D/21/22

A	B	C (mm)		D
1	N45-004	2037	496	4/5
2	N45-007	2037	496	5/5
3	N45-107	2043	550	1/5
4	N45-108	2043	550	1/5
5	N45-112	2043	530	2/5
6	N45-113	2043	500	2/5
7	N45-211	1999	568	2/5
8	N45-212	1999	568	2/5
9	N45-305	480	500	3/5
10	N45-306	480	490	3/5
11	N45-307	975	530	3/5
12	N45-701	300	300	4/5
13	N45-908	2053	494	1/5
14	dr-475	475	30	3/5
15	dr-971	971	30	3/5
16	Lh-2035	2035	14	1/5



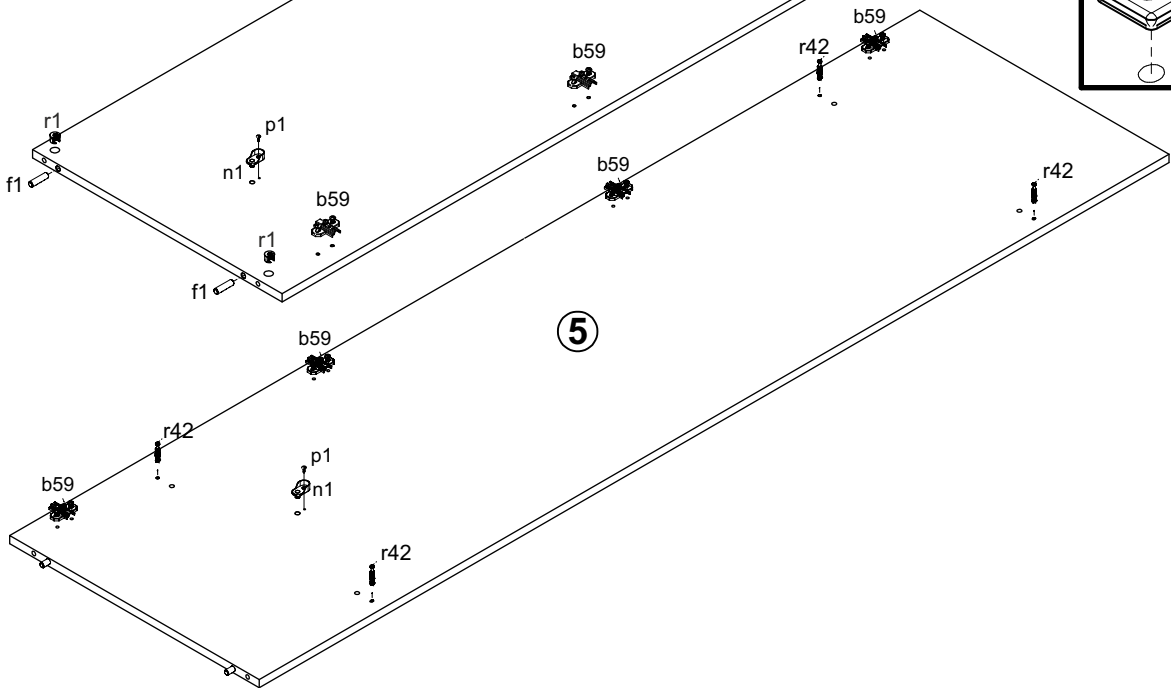
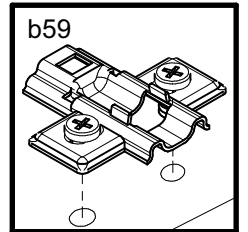
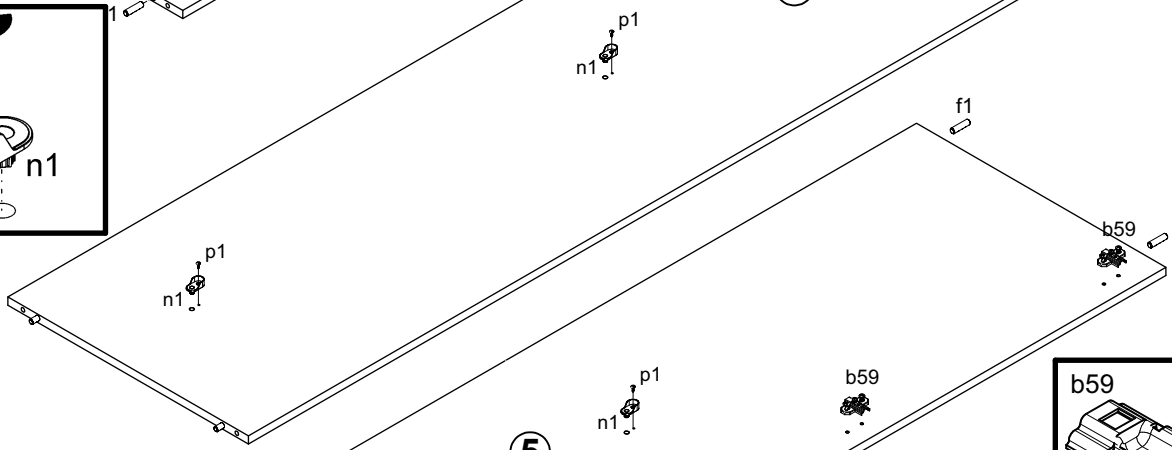
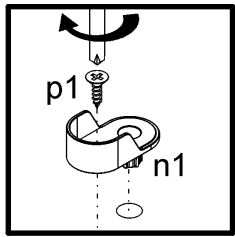
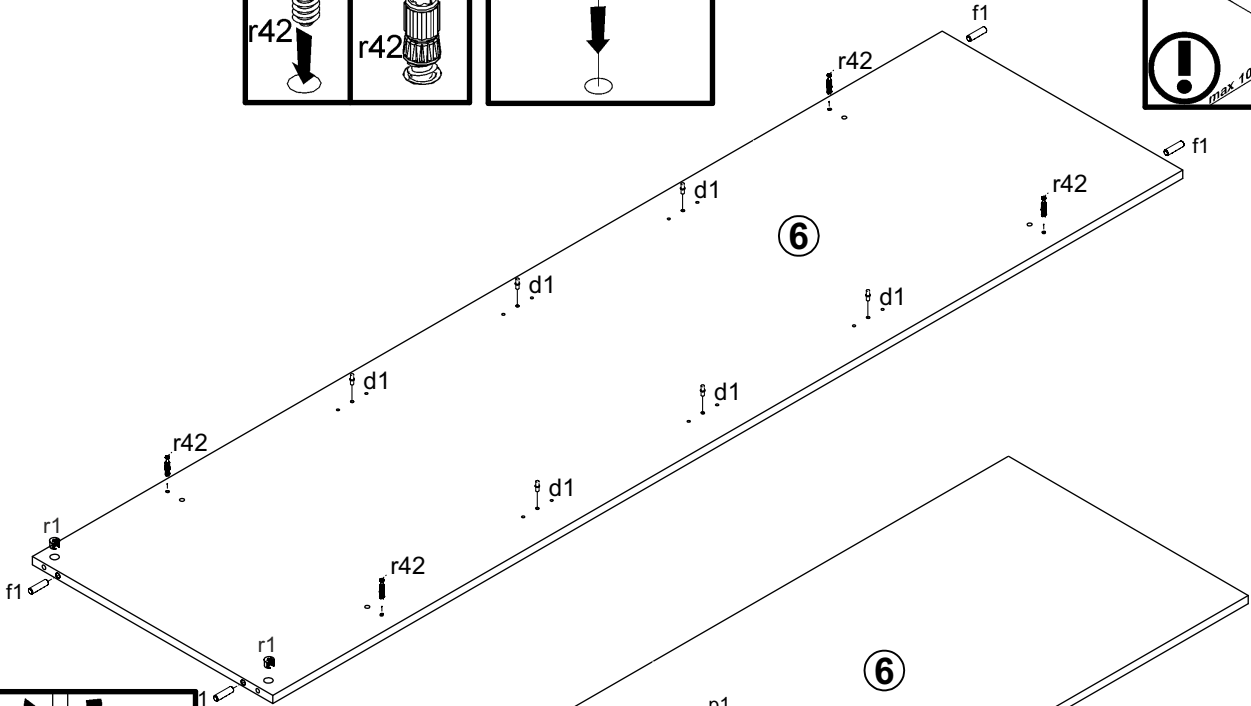
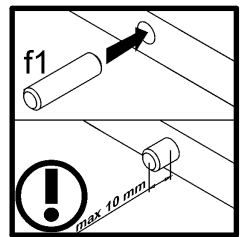
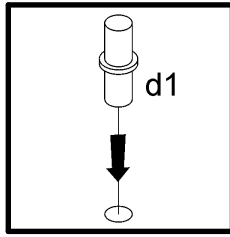
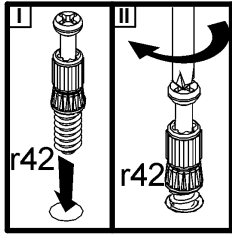
8x  a102	8x  a103	16x  b59	12x  d1	8x  e1	32x  f1	1x  k53	4x  k84	4x  k85
6x  p1	1x  p36	29x  p38	32x  p51	26x  p55	8x  p6	24x  r1	24x  r42	4x  j8
30x  l1	30x  l2	6x  n1	26x  n108	20x  s2	1x  z1	1x  n26v1	1x  f35	1x  p17
2x  c280	4x  d5							

§2 1

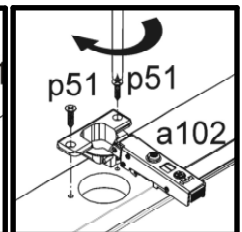
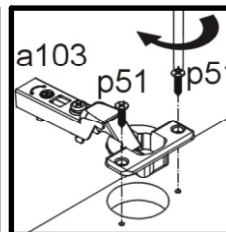
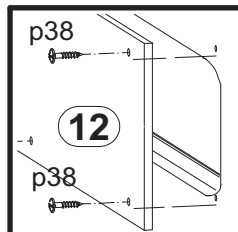
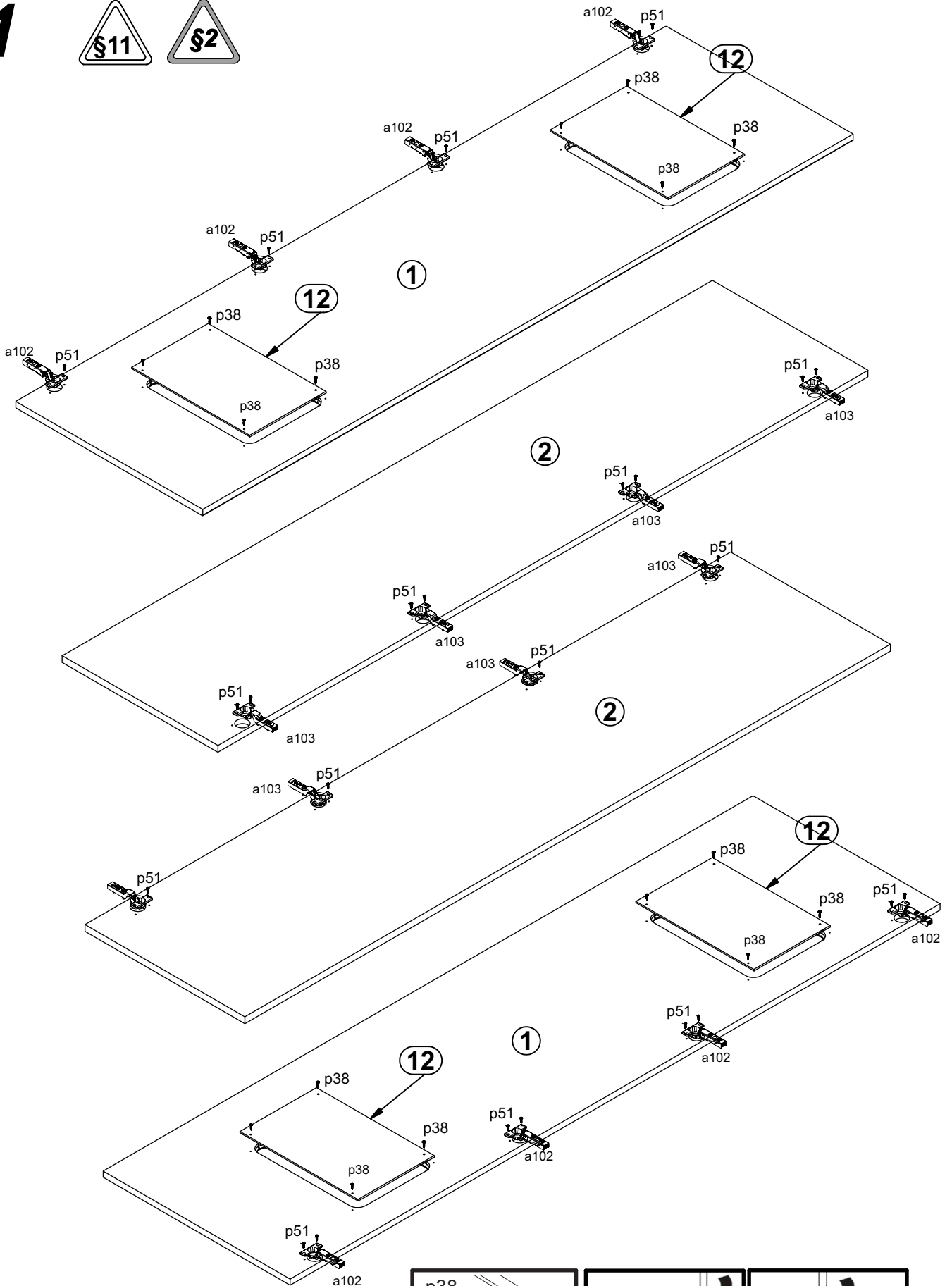




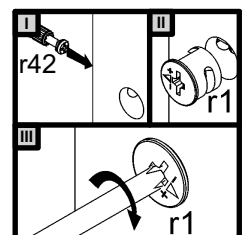
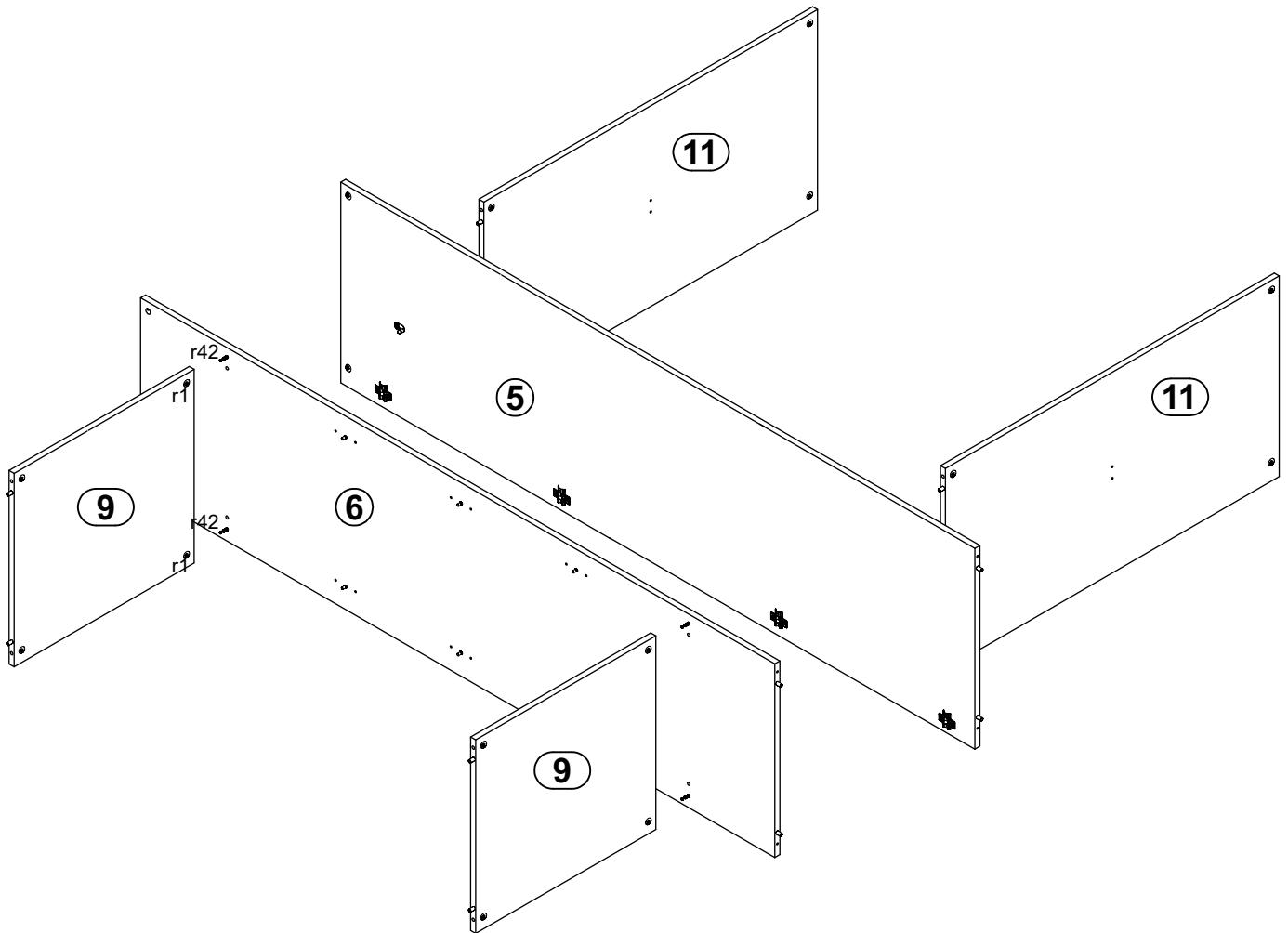
1



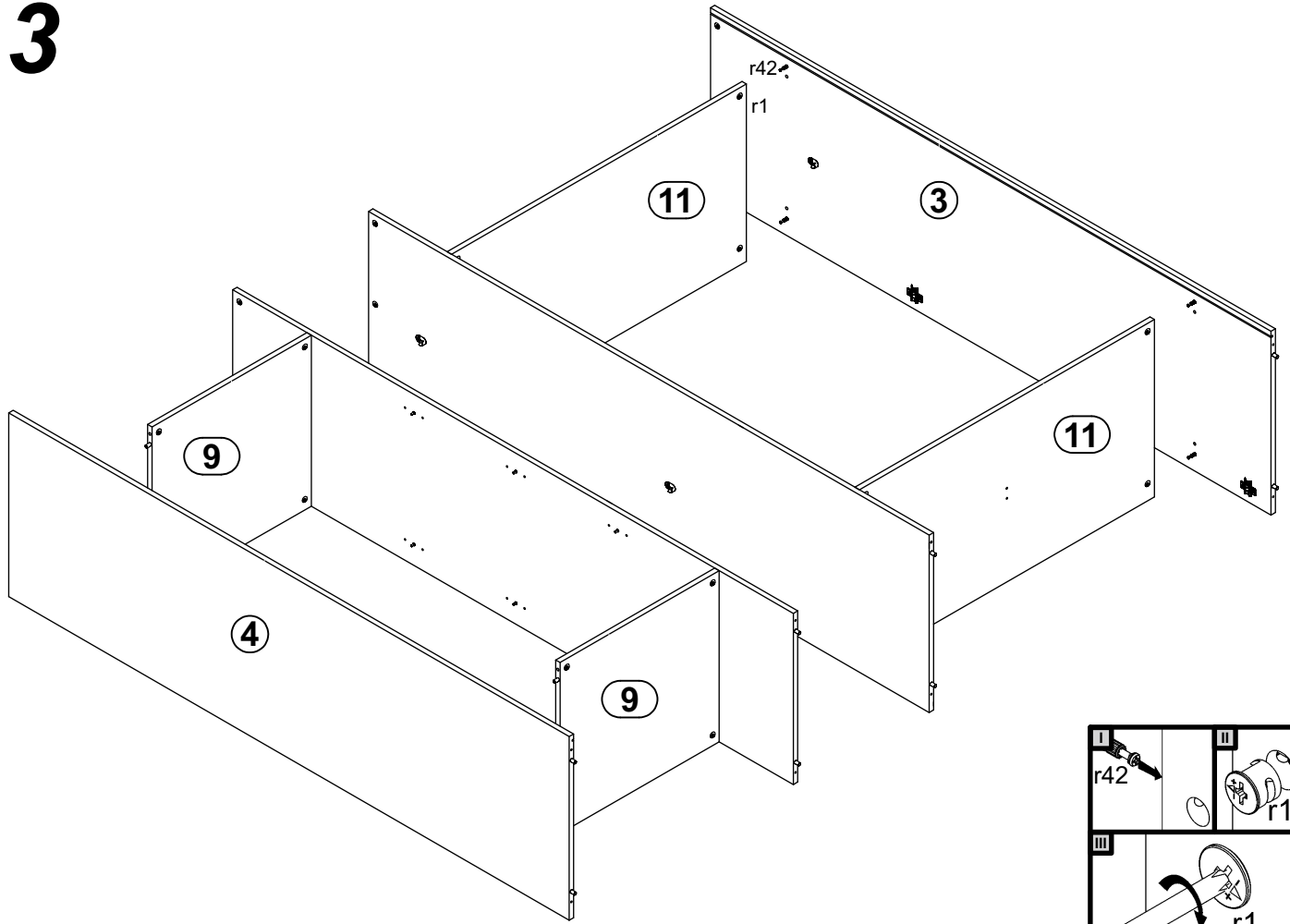
# 1



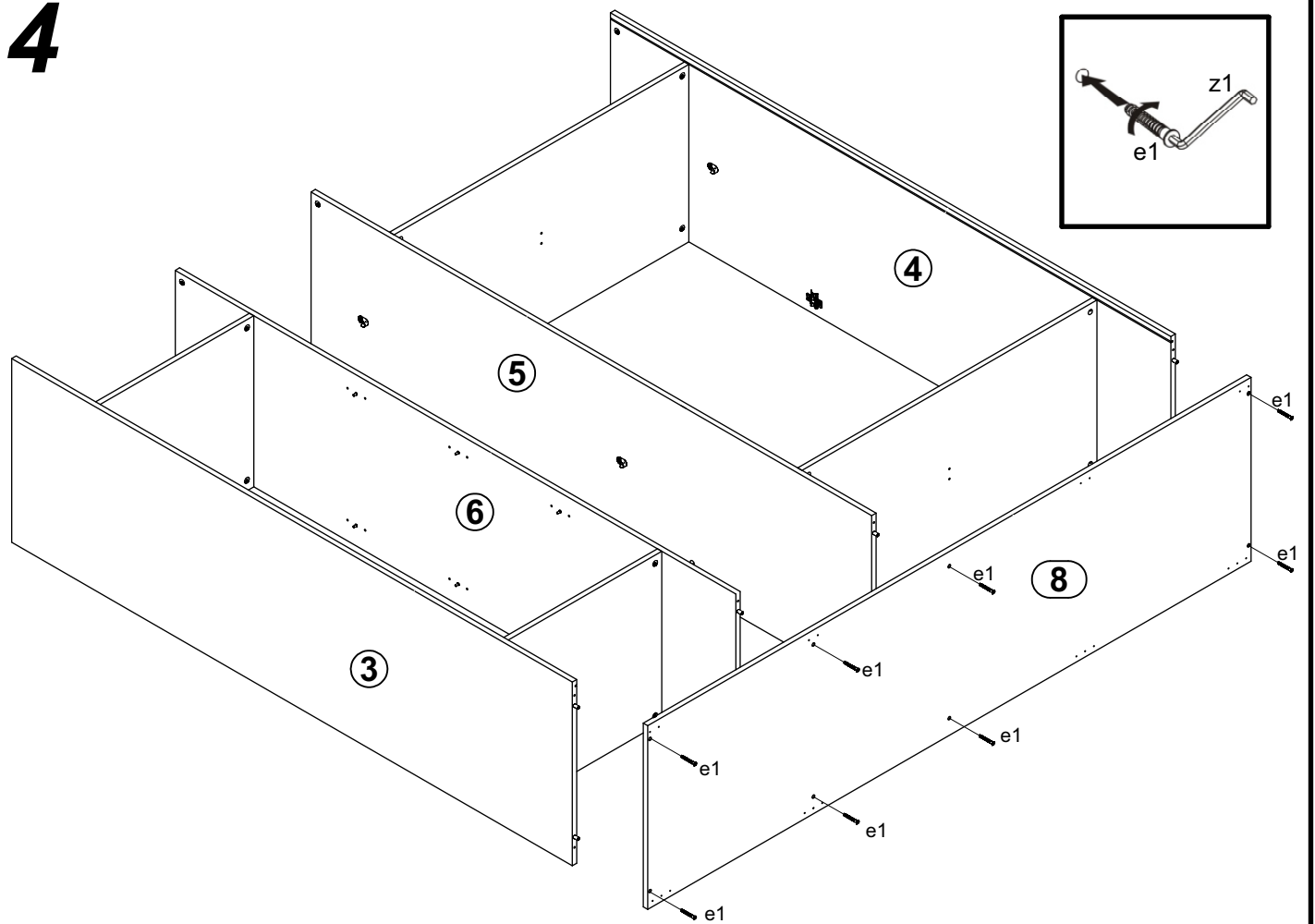
# 2



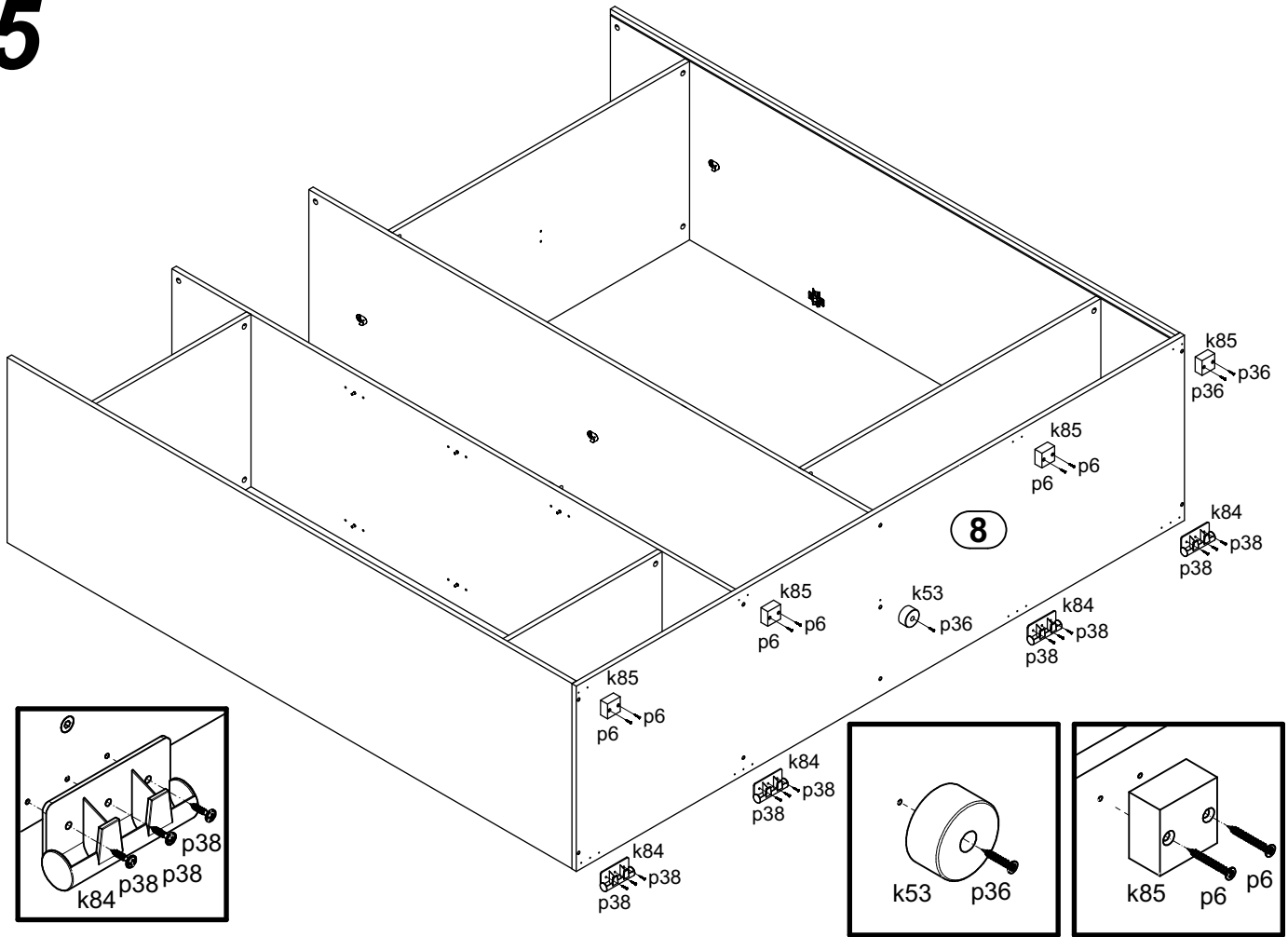
# 3



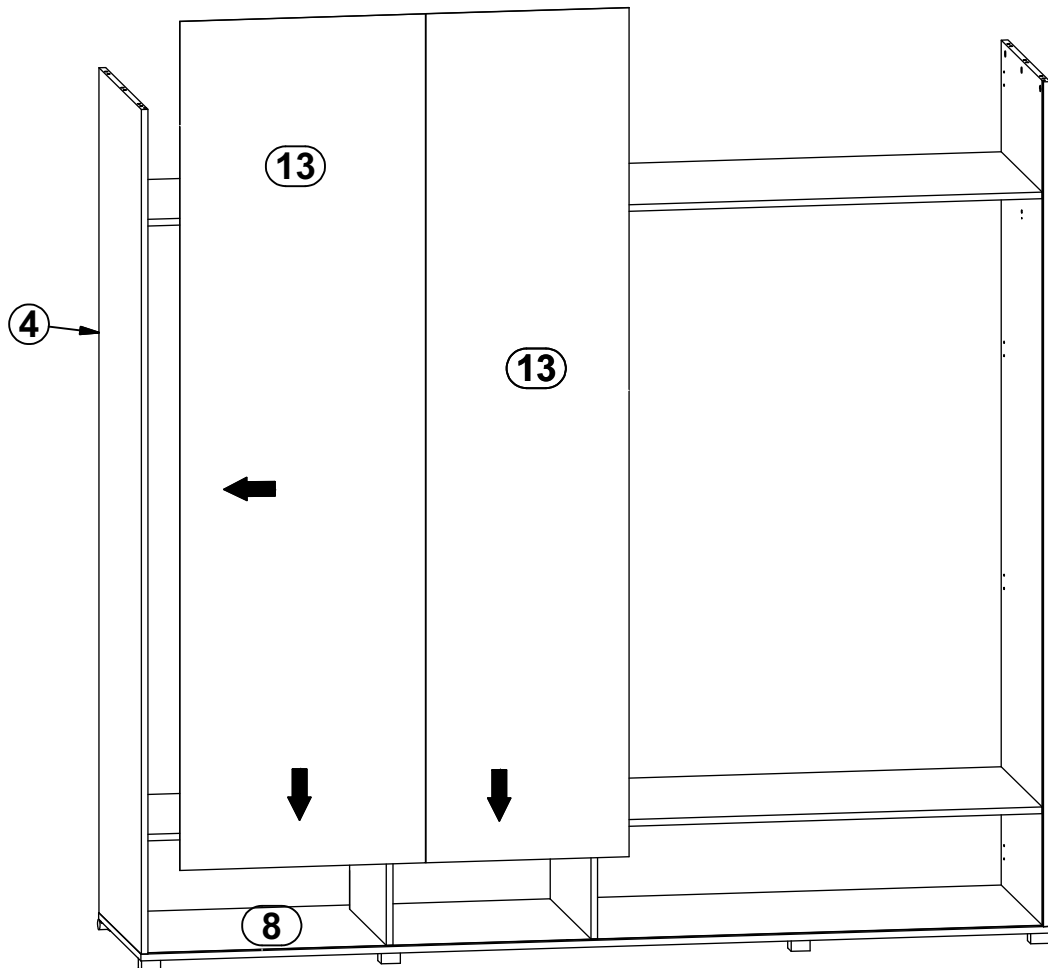
# 4



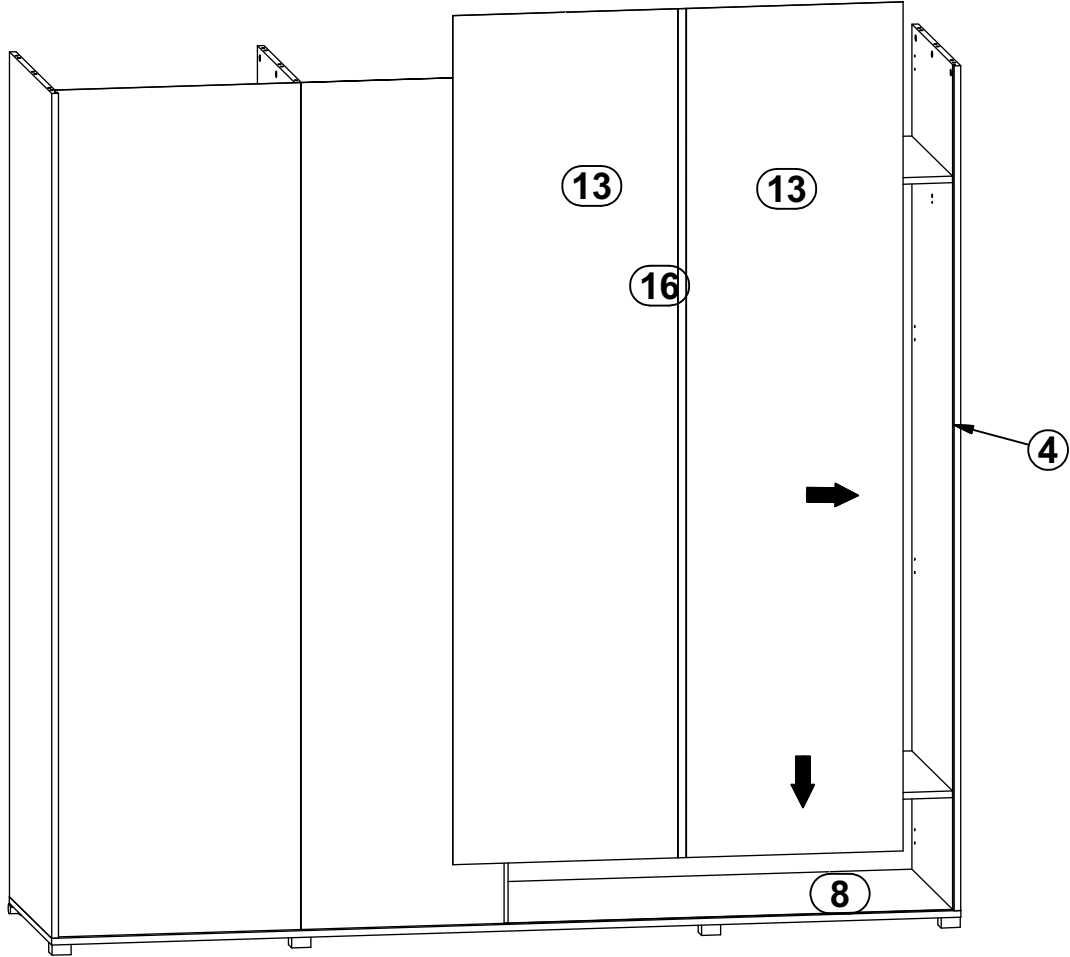
# 5



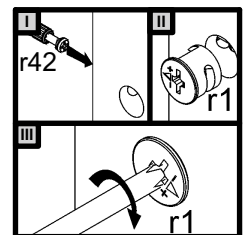
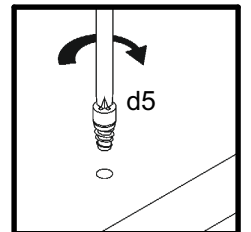
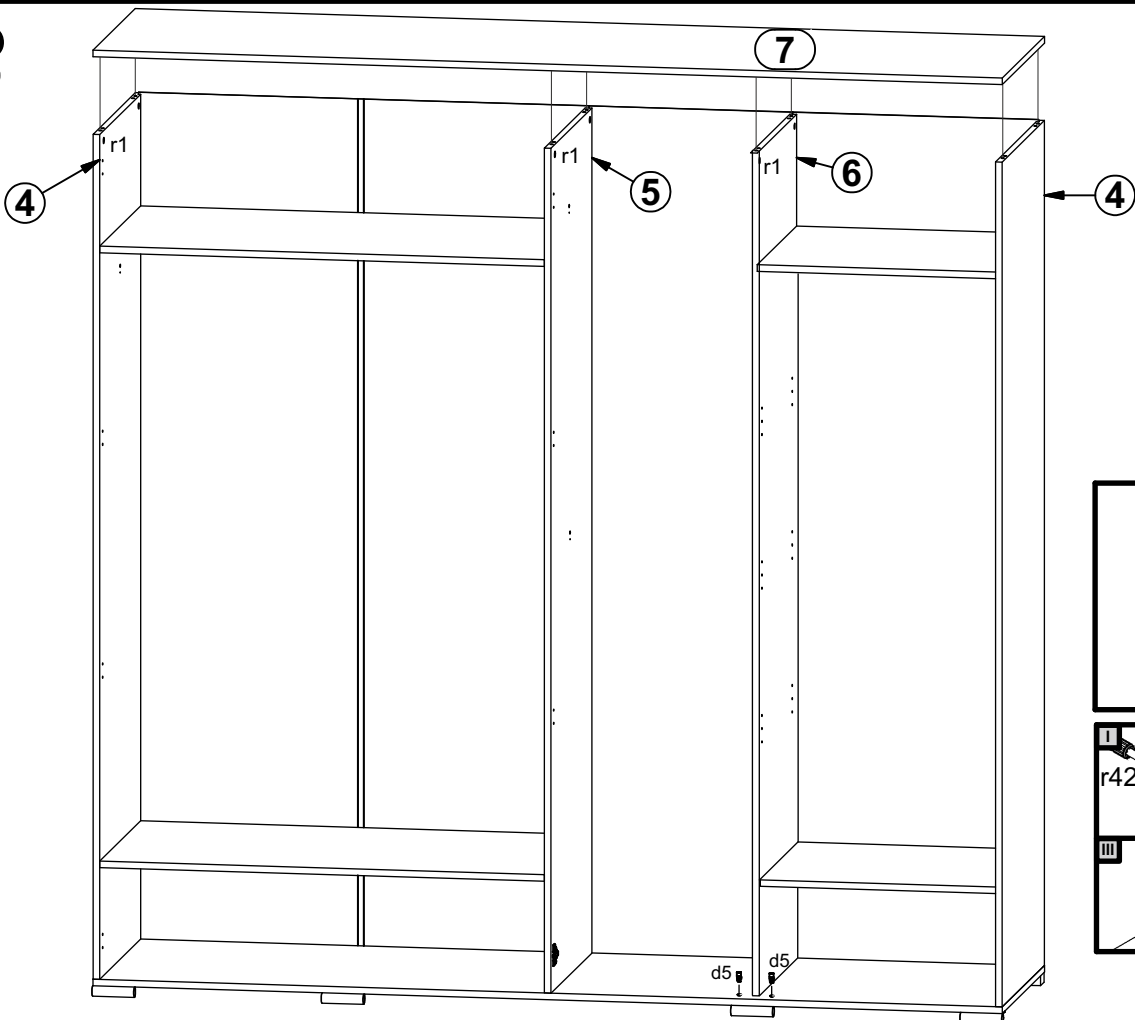
# 6



# 7

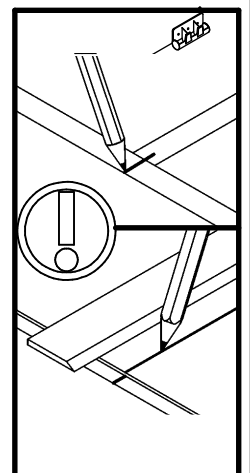
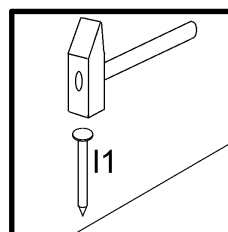
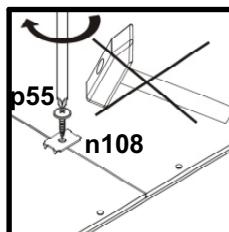
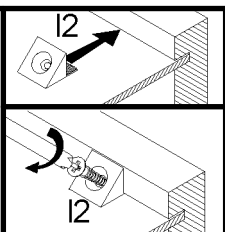
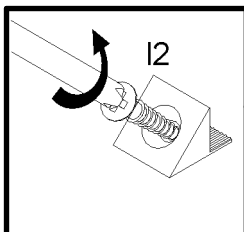
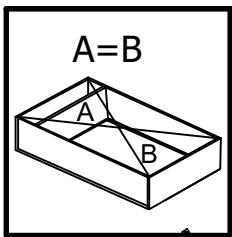
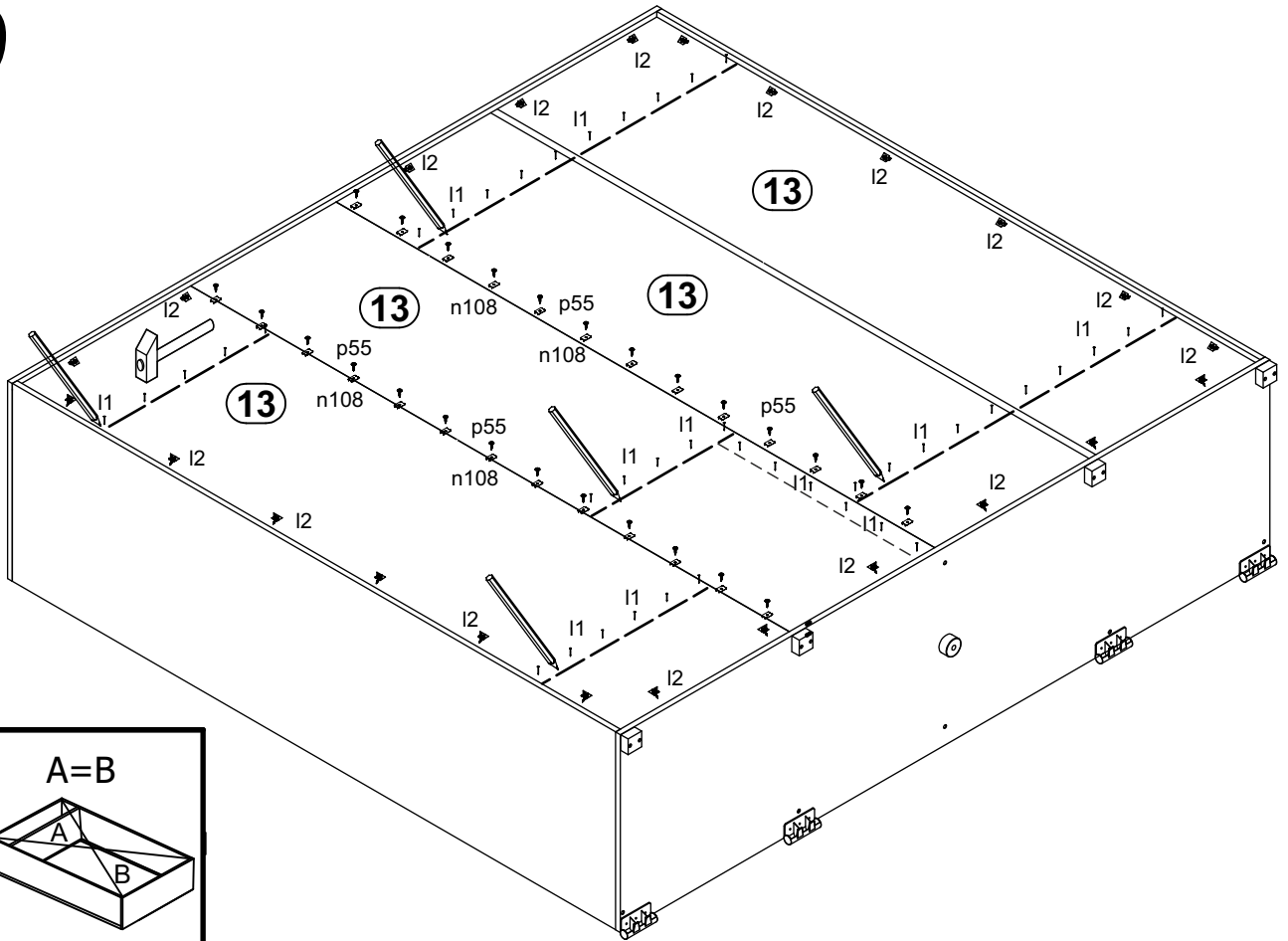


# 8





# 9





# 11

